

FLASHING

CONTENTS

FLASHING

› Available Materials for Roof Edges, Drip Edges and Other Flashing Products	4	› Deck and Chimney (Reglet) Flashing	9
› Style “A” Roof Edge (Available in Woodgrain Embossed)	4	› Rain Diverter With Return	9
› Style “C” and “CC” Roof Edge	4	› Available Materials for Trim Coil, Roll Valley and Shingle	10
› Style “D” Roof Edge and “D” Eaves Drip	5	› Galvanized and Painted Steel Roll Valley	10–11
› Style “L” and “LL” Roof Edge	5	› Economy Galvanized Roll Valley	11–12
› Style “SR” and “SRLL” Roof Edge and Eaves Drip	6	› Standard Aluminum Roll Valley	13
› Gutter Apron With Hemmed Edges	6	› Economy Aluminum Roll Valley	14
› T Roof Trim	7	› 16-oz. Copper Roll Valley	15
› Gravel Stop	7	› Flat Sheets	15
› Roof Starters	7	› Style “W” Formed Valley	16
› Window Capping	8	› Kick-Out Flashing	16
› Base Flashing (“Z” Flashing)	8	› Flashing Shingles	17
› Dormer Flashing	8	› Flashing Collection	18–19



LIMITED 40-YEAR WARRANTY!

Quality products backed by excellent support.

THE FINISHING TOUCH OF FLASHING

Offering products produced from both steel and aluminum, we bring you the most complete line of residential flashing products in the industry. Available painted finishes include a two-coat, baked-on polyester enamel paint for years of worry-free service and minimal maintenance, complete with a 40-year warranty. They are also resistant to corrosion, fading and chalking while providing excellent color retention. Offering all the shapes and sizes used nationwide, we are your source for every flashing product you need. Custom and specialty products are available upon request.

BENEFITS OF FLASHING

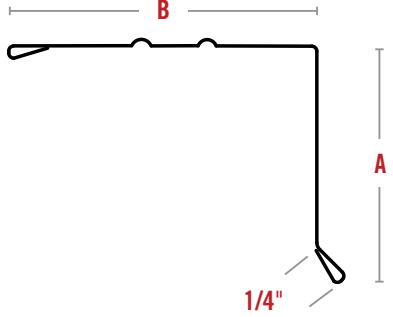
The most pervasive and difficult-to-control weather element threatening your roof is water. Made from durable, low-maintenance materials, Klauer flashing options help mitigate the risk of water damage to susceptible areas like roof valleys, chimneys, eaves, skylights, ridges and more. Extend the life of your roof while giving your home a great finishing touch by taking advantage of the following top-quality products:

- › Roof edges
- › Gutter apron
- › Valley metal
- › Flashing shingles
- › Window cap
- › Z flashing
- › Reglets
- › Dormer flashing
- › Many more

AVAILABLE MATERIALS FOR ROOF EDGES, DRIP EDGES AND OTHER FLASHING PRODUCTS

STEEL:	32 Ga.	(.012)	Thickness	Painted and Bare Galvanized
	29 Ga.	(.015)	Thickness	Painted and Bare Galvanized
	26 Ga.	(.020)	Thickness	Painted and Bare Galvanized
PAINTED ALUMINUM:	—	(.012)	Thickness	
	—	(.017)	Thickness	
BARE ALUMINUM:	—	(.012)	Thickness	

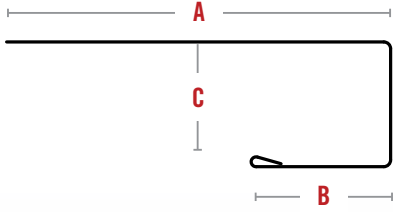
STYLE "A" ROOF EDGE (AVAILABLE IN WOODGRAIN EMBOSSED)



The diagram shows a cross-section of a roof edge profile. Dimension B is the width of the top flange. Dimension A is the height of the vertical stem. A 1/4 inch lip is shown at the bottom of the stem.

PRODUCT DESCRIPTION	PIECES PER		DIMENSIONS	
	STEEL	ALUMINUM	A	B
1-1/2" x 1-1/2" Style A Roof Edge – 10'	50	50	1-1/2"	1-3/8"
1" x 2" Style A Roof Edge – 10'	50	50	1"	2"
2" x 2" Style A Roof Edge – 10'	25	25	2"	1-5/8"
1" x 4" Style A Roof Edge – 10'	25	N/A	1"	4"
3" x 3" Style A Roof Edge – 10'	25	N/A	3"	2-7/8"
4" x 4" Style A Roof Edge – 10'	10	10	4"	3-7/8"

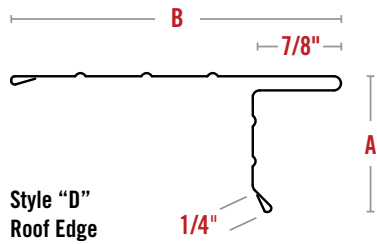
STYLE "C" AND "CC" ROOF EDGE



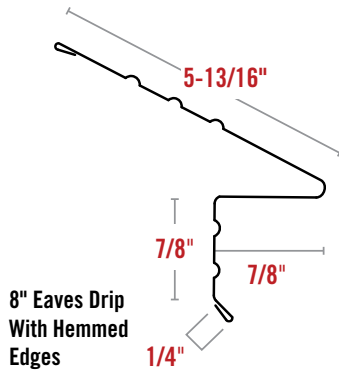
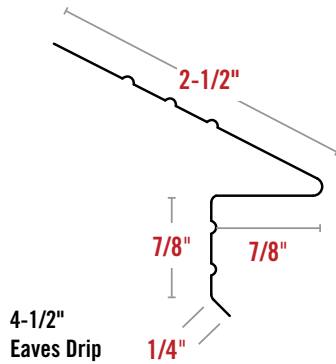
The diagram shows a cross-section of a roof edge profile. Dimension A is the width of the top flange. Dimension B is the height of the vertical stem. Dimension C is the width of the lip at the bottom of the stem.

PRODUCT DESCRIPTION	PIECES PER		DIMENSIONS		
	STEEL	ALUMINUM	A	B	C
5" Style C Roof Edge – 10'	25	25	3"	1"	1"
5" Style CC Roof Edge – 10'	25	25	2-1/2"	1"	1-1/2"
6" Style CC Roof Edge – 10'	25	25	3-1/2"	1"	1-1/2"

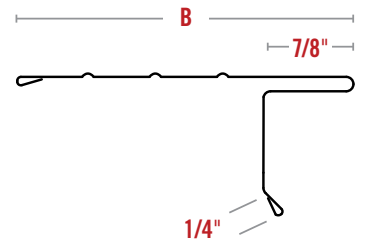
STYLE "D" ROOF EDGE AND "D" EAVES DRIP



PRODUCT DESCRIPTION	PIECES PER		DIMENSIONS	
	STEEL	ALUMINUM	A	B
4-1/2" Style D Roof Edge – 10'	25	50	1-1/4"	2-3/8"
5" Style D Roof Edge – 10'	25	N/A	1-1/4"	2-7/8"
5-1/2" Style D Roof Edge – 10'	25	50	1-1/4"	3-1/8"
6" Style D Roof Edge – 10'	25	50	2"	2-5/8"
8" Style D Roof Edge – 10'	20	N/A	1-1/4"	5-7/8"
4-1/2" Eaves Drip – 10'	25	50	—	—
8" Eaves Drip – 10'	N/A	50	—	—

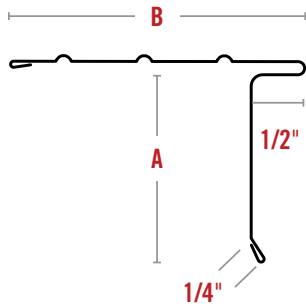


STYLE "L" AND "LL" ROOF EDGE

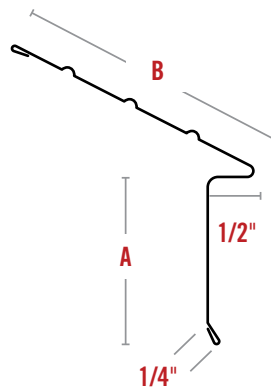


PRODUCT DESCRIPTION	PIECES PER		DIMENSIONS	
	STEEL	ALUMINUM	A	B
5-1/2" Style L Roof Edge – 10'	25	50	1-3/4"	2-1/2"
5-1/2" Style LL Roof Edge – 26 Ga. – 10'	25	N/A	2"	2-1/4"
6" Style L Roof Edge – 10'	N/A	50	1-3/4"	3"
6" Style LL Roof Edge – 10'	25	N/A	2"	2-3/4"

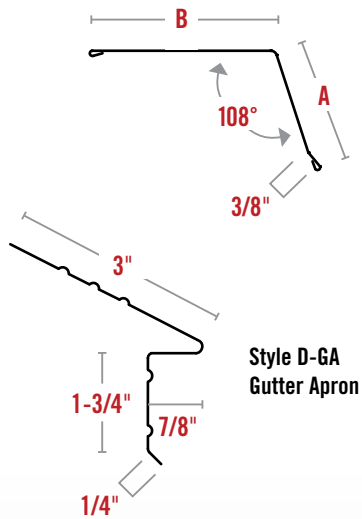
STYLE "SR" AND "SRL" ROOF EDGE AND EAVES DRIP



PRODUCT DESCRIPTION	PIECES PER		DIMENSIONS	
	STEEL	ALUMINUM	A	B
4-1/2" Style SR Roof Edge – 10'	25	50	1-1/2"	2-1/4"
5" Style SR Roof Edge – 10'	25	50	1-1/2"	2-3/4"
5" Style SRL Roof Edge – 10'	25	50	1-3/4"	2-1/4"
5-1/2" Style SRL Roof Edge – 10'	25	50	1-3/4"	2-3/4"
5" Style SRL Eaves Drip – 10'	25	50	1-3/4"	2-1/4"
5-1/2" Style SRL Eaves Drip – 10'	25	50	1-3/4"	2-3/4"

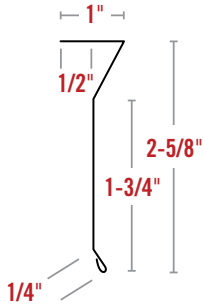


GUTTER APRON WITH HEMMED EDGES



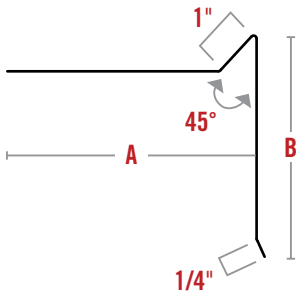
PRODUCT DESCRIPTION	PIECES PER		DIMENSIONS	
	STEEL	ALUMINUM	A	B
2" x 3" Gutter Apron – 10'	25	25	1-7/8"	2-3/4"
2-1/2" x 2-1/2" Gutter Apron – 10'	25	N/A	2-3/8"	2-1/4"
3" x 3" Gutter Apron – 10'	25	N/A	2-7/8"	2-3/4"
2" x 5" Gutter Apron – 10'	25	N/A	1-7/8"	4-3/4"
6" Style "D-GA" Gutter Apron – No Hems – 10'	25	25	—	—

T ROOF TRIM



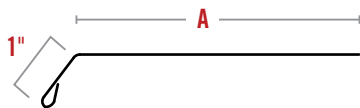
PRODUCT DESCRIPTION	PIECES PER	
	STEEL	ALUMINUM
T Roof Trim – 12'	N/A	25

GRAVEL STOP



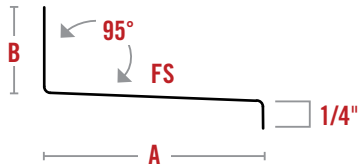
PRODUCT DESCRIPTION	PIECES PER		DIMENSIONS	
	STEEL	ALUMINUM	A	B
5" Girth Gravel Stop – 10'	10	N/A	2"	2-1/4"
6" Girth Gravel Stop – 10'	10	N/A	3"	2-1/4"
7" Girth Gravel Stop – 10'	10	N/A	3"	3-1/4"
8" Girth Gravel Stop – 10'	10	N/A	3-1/4"	3-3/4"
10" Girth Gravel Stop – 10'	10	N/A	4-3/4"	4-1/4"

ROOF STARTERS



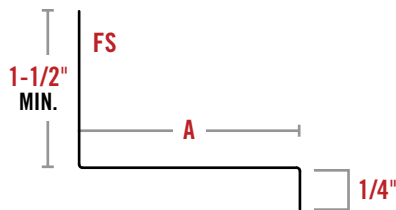
PRODUCT DESCRIPTION	PIECES PER	DIMENSIONS
		A
6" Roof Starter – 10'	10	4-3/4"

WINDOW CAPPING



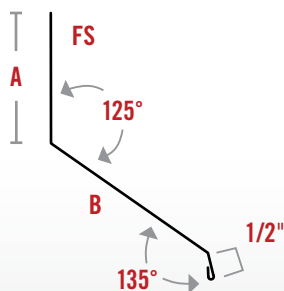
PRODUCT DESCRIPTION	PIECES PER		DIMENSIONS	
	STEEL	ALUMINUM	A	B
3" Window Capping – 1-1/16" Header – 10'	50	50	1-1/16"	1-3/4"
3" Window Capping – 1-1/4" Header – 10'	50	50	1-1/4"	1-1/2"
3" Window Capping – 1-3/8" Header – 10'	50	50	1-3/8"	1-3/8"
3-1/4" Window Capping – 1-1/2" Header – 10'	50	50	1-1/2"	1-1/2"
3-3/8" Window Capping – 1-5/8" Header – 10'	50	50	1-5/8"	1-1/2"
3-1/2" Window Capping – 1-3/4" Header – 10'	50	50	1-3/4"	1-1/2"
2" Back Window Capping – 1" Header – 10'	50	50	1"	2"
2" Back Window Capping – 1-1/8" Header – 10'	50	50	1-1/8"	2"
2" Back Window Capping – 1-3/8" Header – 10'	50	50	1-3/8"	2"
2" Back Window Capping – 1-1/4" Header – 10'	50	50	1-1/4"	2"
2" Back Window Capping – 1-3/4" Header – 10'	50	50	1-3/4"	2"

BASE FLASHING ("Z" FLASHING)



PRODUCT DESCRIPTION	PIECES PER		DIMENSIONS
	STEEL	ALUMINUM	A
3/8" Base Flashing – 10'	25	50	3/8"
7/16" Base Flashing – 10'	25	50	7/16"
1/2" Base Flashing – 10'	25	50	1/2"
5/8" Base Flashing – 10'	25	50	5/8"
3/4" Base Flashing – 10'	25	50	3/4"
1" Base Flashing – 10'	25	50	1"
1-1/8" Base Flashing – 10'	25	50	1-1/8"
1-3/4" Base Flashing – 10'	25	50	1-3/4"

DORMER FLASHING



PRODUCT DESCRIPTION	PIECES PER	DIMENSIONS	
		A	B
#2220 Dormer Flashing – 10'	10	3-3/4"	5"
#13720 Dormer Flashing – 10'	10	3-1/2"	4-1/2"

DECK AND CHIMNEY (REGLET) FLASHING

	<table border="1"> <thead> <tr> <th>PRODUCT DESCRIPTION</th> <th>PIECES PER</th> </tr> </thead> <tbody> <tr> <td>#2401 Deck Flashing – 10'</td> <td>25</td> </tr> </tbody> </table>	PRODUCT DESCRIPTION	PIECES PER	#2401 Deck Flashing – 10'	25
PRODUCT DESCRIPTION	PIECES PER				
#2401 Deck Flashing – 10'	25				
	<table border="1"> <tbody> <tr> <td>4-1/4" Reglet – w/ Return – 10'</td> <td>10</td> </tr> <tr> <td>4-1/4" Reglet – w/ No Return – 10'</td> <td>10</td> </tr> </tbody> </table>	4-1/4" Reglet – w/ Return – 10'	10	4-1/4" Reglet – w/ No Return – 10'	10
4-1/4" Reglet – w/ Return – 10'	10				
4-1/4" Reglet – w/ No Return – 10'	10				
	<table border="1"> <tbody> <tr> <td>#2330 Deck-Starter Strip – 10'</td> <td>25</td> </tr> </tbody> </table>	#2330 Deck-Starter Strip – 10'	25		
#2330 Deck-Starter Strip – 10'	25				

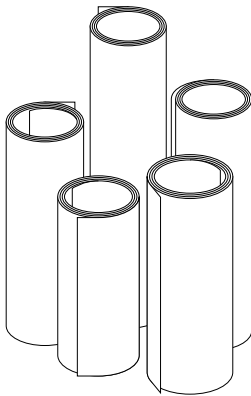
RAIN DIVERTER WITH RETURN

	<table border="1"> <thead> <tr> <th>PRODUCT DESCRIPTION</th> <th>PIECES PER</th> </tr> </thead> <tbody> <tr> <td>#2277 7-1/2" Rain Diverter – 10'</td> <td>10</td> </tr> </tbody> </table>	PRODUCT DESCRIPTION	PIECES PER	#2277 7-1/2" Rain Diverter – 10'	10
PRODUCT DESCRIPTION	PIECES PER				
#2277 7-1/2" Rain Diverter – 10'	10				

AVAILABLE MATERIALS FOR TRIM COIL, ROLL VALLEY AND SHINGLE

STEEL:	Standard	29 Ga.	(.015)	Thickness	Painted Trim Coil
	Standard	29 Ga.	(.015)	Thickness	"W" Valley, Bare and Painted
	Standard	32 Ga.	(.012)	Thickness	Bare Roll Valley
	Economy	34 Ga.	(.010)	Thickness	Bare Roll Valley
	Standard	32 Ga.	(.012)	Thickness	Shingle, Both Painted and Bare
	Economy	34 Ga.	(.010)	Thickness	Bare Shingles
ALUMINUM:	Standard	—	(.017)	Thickness	Painted Trim Coil
	Standard	—	(.012)	Thickness	Bare Roll Valley
	Economy	—	(.009)	Thickness	Bare Roll Valley
	Standard	—	(.012)	Thickness	Shingle, Both Painted and Bare

GALVANIZED AND PAINTED STEEL ROLL VALLEY

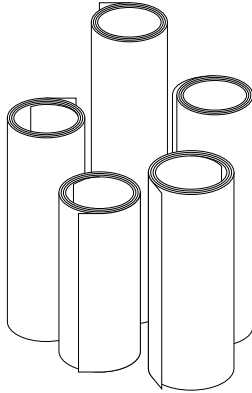


PRODUCT DESCRIPTION	PACKAGING PER PALLET	WEIGHT PER ROLL:	
		GALVANIZED	PAINTED
4" Roll Valley – 50'	100 rolls	8.00 lbs.	10.50 lbs.
4" Roll Valley – 10'	100 rolls	6.60 lbs.	2.10 lbs.
4" Roll Valley – 25'	100 rolls	4.00 lbs.	5.25 lbs.
6" Roll Valley – 50'	100 rolls	12.00 lbs.	16.00 lbs.
6" Roll Valley – 10'	100 rolls	2.40 lbs.	3.20 lbs.
6" Roll Valley – 25'	100 rolls	6.00 lbs.	8.00 lbs.
8" Roll Valley – 50'	150 rolls	15.50 lbs.	22.00 lbs.
8" Roll Valley – 10'	150 rolls	3.10 lbs.	4.40 lbs.
8" Roll Valley – 25'	150 rolls	7.75 lbs.	11.00 lbs.
10" Roll Valley – 50'	125 rolls	19.50 lbs.	27.50 lbs.
10" Roll Valley – 10'	125 rolls	3.90 lbs.	5.50 lbs.
10" Roll Valley – 25'	125 rolls	9.75 lbs.	13.75 lbs.
12" Roll Valley – 50'	100 rolls	23.50 lbs.	32.50 lbs.
12" Roll Valley – 10'	100 rolls	4.70 lbs.	6.50 lbs.
12" Roll Valley – 25'	100 rolls	11.75 lbs.	16.25 lbs.
14" Roll Valley – 50'	100 rolls	27.00 lbs.	37.50 lbs.
14" Roll Valley – 10'	100 rolls	5.40 lbs.	7.50 lbs.
14" Roll Valley – 25'	100 rolls	13.50 lbs.	18.75 lbs.

Continued

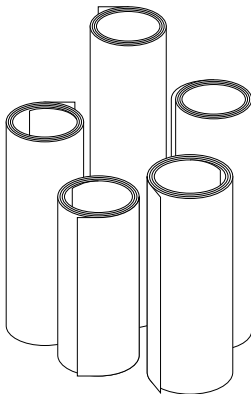
GALVANIZED AND PAINTED STEEL ROLL VALLEY

Continued



PRODUCT DESCRIPTION	PACKAGING PER PALLET	WEIGHT PER ROLL:	
		GALVANIZED	PAINTED
16" Roll Valley – 50'	75 rolls	31.00 lbs.	43.00 lbs.
16" Roll Valley – 10'	75 rolls	6.20 lbs.	8.60 lbs.
16" Roll Valley – 25'	75 rolls	15.50 lbs.	21.50 lbs.
18" Roll Valley – 50'	75 rolls	35.00 lbs.	48.50 lbs.
18" Roll Valley – 10'	75 rolls	7.00 lbs.	9.70 lbs.
18" Roll Valley – 25'	75 rolls	17.50 lbs.	24.25 lbs.
20" Roll Valley – 50'	50 rolls	38.50 lbs.	54.00 lbs.
20" Roll Valley – 10'	50 rolls	7.70 lbs.	10.80 lbs.
20" Roll Valley – 25'	50 rolls	19.25 lbs.	27.00 lbs.
24" Roll Valley – 50'	50 rolls	46.50 lbs.	65.00 lbs.
24" Roll Valley – 10'	50 rolls	9.30 lbs.	13.00 lbs.
24" Roll Valley – 25'	50 rolls	23.25 lbs.	32.50 lbs.
36" Roll Valley – 50'	25 rolls	70.50 lbs.	98.50 lbs.
36" Roll Valley – 10'	25 rolls	14.10 lbs.	19.70 lbs.
36" Roll Valley – 25'	25 rolls	35.25 lbs.	49.25 lbs.

ECONOMY GALVANIZED ROLL VALLEY

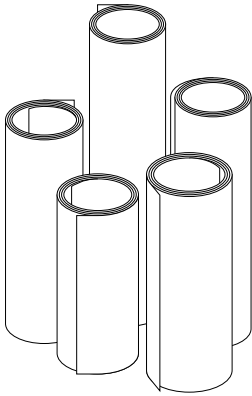


PRODUCT DESCRIPTION	PACKAGING PER PALLET	WEIGHT PER ROLL
4" Roll Valley – 50'	150 rolls	6.80 lbs.
4" Roll Valley – 10'	150 rolls	1.36 lbs.
4" Roll Valley – 25'	150 rolls	3.40 lbs.
6" Roll Valley – 50'	100 rolls	10.20 lbs.
6" Roll Valley – 10'	100 rolls	2.04 lbs.
6" Roll Valley – 25'	100 rolls	5.10 lbs.
8" Roll Valley – 50'	100 rolls	13.39 lbs.
8" Roll Valley – 10'	100 rolls	2.68 lbs.
8" Roll Valley – 25'	100 rolls	6.69 lbs.
10" Roll Valley – 50'	75 rolls	17.00 lbs.
10" Roll Valley – 10'	75 rolls	3.40 lbs.
10" Roll Valley – 25'	75 rolls	8.50 lbs.

Continued

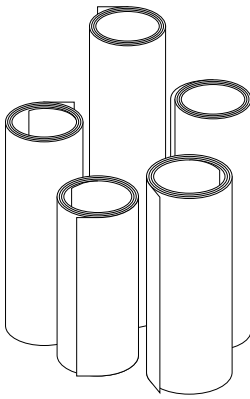
ECONOMY GALVANIZED ROLL VALLEY

Continued



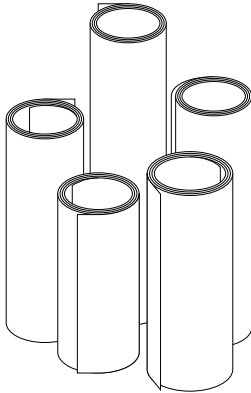
PRODUCT DESCRIPTION	PACKAGING PER PALLET	WEIGHT PER ROLL
12" Roll Valley – 50'	50 rolls	20.19 lbs.
12" Roll Valley – 10'	50 rolls	4.04 lbs.
12" Roll Valley – 25'	50 rolls	10.09 lbs.
14" Roll Valley – 50'	50 rolls	23.37 lbs.
14" Roll Valley – 10'	50 rolls	4.67 lbs.
14" Roll Valley – 25'	50 rolls	11.69 lbs.
16" Roll Valley – 50'	50 rolls	26.77 lbs.
16" Roll Valley – 10'	50 rolls	5.35 lbs.
16" Roll Valley – 25'	50 rolls	13.39 lbs.
18" Roll Valley – 50'	25 rolls	30.17 lbs.
18" Roll Valley – 10'	25 rolls	6.03 lbs.
18" Roll Valley – 25'	25 rolls	15.09 lbs.
20" Roll Valley – 50'	25 rolls	33.57 lbs.
20" Roll Valley – 10'	25 rolls	6.71 lbs.
20" Roll Valley – 25'	25 rolls	16.79 lbs.
24" Roll Valley – 50'	25 rolls	40.37 lbs.
24" Roll Valley – 10'	25 rolls	8.07 lbs.
24" Roll Valley – 25'	25 rolls	20.19 lbs.
36" Roll Valley – 50'	25 rolls	61.19 lbs.
36" Roll Valley – 10'	25 rolls	12.24 lbs.
36" Roll Valley – 25'	25 rolls	30.60 lbs.

STANDARD ALUMINUM ROLL VALLEY



PRODUCT DESCRIPTION	PACKAGING PER PALLET	WEIGHT PER ROLL
4" Standard Aluminum Roll Valley – 50'	100 rolls	2.50 lbs.
4" Standard Aluminum Roll Valley – 10'	100 rolls	.50 lbs.
4" Standard Aluminum Roll Valley – 25'	100 rolls	1.25 lbs.
6" Standard Aluminum Roll Valley – 50'	125 rolls	3.50 lbs.
6" Standard Aluminum Roll Valley – 10'	125 rolls	.70 lbs.
6" Standard Aluminum Roll Valley – 25'	125 rolls	1.75 lbs.
8" Standard Aluminum Roll Valley – 50'	150 rolls	5.00 lbs.
8" Standard Aluminum Roll Valley – 10'	150 rolls	1.00 lb.
8" Standard Aluminum Roll Valley – 25'	150 rolls	2.50 lbs.
10" Standard Aluminum Roll Valley – 50'	125 rolls	6.50 lbs.
10" Standard Aluminum Roll Valley – 10'	125 rolls	1.30 lbs.
10" Standard Aluminum Roll Valley – 25'	125 rolls	3.25 lbs.
12" Standard Aluminum Roll Valley – 50'	100 rolls	7.00 lbs.
12" Standard Aluminum Roll Valley – 10'	100 rolls	1.40 lbs.
12" Standard Aluminum Roll Valley – 25'	100 rolls	3.50 lbs.
14" Standard Aluminum Roll Valley – 50'	100 rolls	8.50 lbs.
14" Standard Aluminum Roll Valley – 10'	100 rolls	1.70 lbs.
14" Standard Aluminum Roll Valley – 25'	100 rolls	4.25 lbs.
16" Standard Aluminum Roll Valley – 50'	75 rolls	9.50 lbs.
16" Standard Aluminum Roll Valley – 10'	75 rolls	1.90 lbs.
16" Standard Aluminum Roll Valley – 25'	75 rolls	4.75 lbs.
18" Standard Aluminum Roll Valley – 50'	75 rolls	10.50 lbs.
18" Standard Aluminum Roll Valley – 10'	75 rolls	2.10 lbs.
18" Standard Aluminum Roll Valley – 25'	75 rolls	5.25 lbs.
20" Standard Aluminum Roll Valley – 50'	50 rolls	12.00 lbs.
20" Standard Aluminum Roll Valley – 10'	50 rolls	2.40 lbs.
20" Standard Aluminum Roll Valley – 25'	50 rolls	6.00 lbs.
24" Standard Aluminum Roll Valley – 50'	50 rolls	14.50 lbs.
24" Standard Aluminum Roll Valley – 10'	50 rolls	2.90 lbs.
24" Standard Aluminum Roll Valley – 25'	50 rolls	7.25 lbs.
36" Standard Aluminum Roll Valley – 50'	25 rolls	22.00 lbs.
36" Standard Aluminum Roll Valley – 10'	25 rolls	4.40 lbs.
36" Standard Aluminum Roll Valley – 25'	25 rolls	11.00 lbs.

ECONOMY ALUMINUM ROLL VALLEY



PRODUCT DESCRIPTION	PACKAGING PER PALLET	WEIGHT PER ROLL
4" Economy Aluminum Roll Valley – 50'	100 rolls	2.00 lbs.
4" Economy Aluminum Roll Valley – 10'	100 rolls	.40 lbs.
4" Economy Aluminum Roll Valley – 25'	100 rolls	1.00 lb.
6" Economy Aluminum Roll Valley – 50'	125 rolls	2.00 lbs.
6" Economy Aluminum Roll Valley – 10'	125 rolls	.60 lbs.
6" Economy Aluminum Roll Valley – 25'	125 rolls	1.50 lbs.
8" Economy Aluminum Roll Valley – 50'	150 rolls	4.00 lbs.
8" Economy Aluminum Roll Valley – 10'	150 rolls	.80 lbs.
8" Economy Aluminum Roll Valley – 25'	150 rolls	2.00 lbs.
10" Economy Aluminum Roll Valley – 50'	125 rolls	5.00 lbs.
10" Economy Aluminum Roll Valley – 10'	125 rolls	1.00 lb.
10" Economy Aluminum Roll Valley – 25'	125 rolls	2.50 lbs.
12" Economy Aluminum Roll Valley – 50'	100 rolls	6.00 lbs.
12" Economy Aluminum Roll Valley – 10'	100 rolls	1.20 lbs.
12" Economy Aluminum Roll Valley – 25'	100 rolls	3.00 lbs.
14" Economy Aluminum Roll Valley – 50'	100 rolls	7.00 lbs.
14" Economy Aluminum Roll Valley – 10'	100 rolls	1.40 lbs.
14" Economy Aluminum Roll Valley – 25'	100 rolls	3.50 lbs.
16" Economy Aluminum Roll Valley – 50'	75 rolls	8.00 lbs.
16" Economy Aluminum Roll Valley – 10'	75 rolls	1.60 lbs.
16" Economy Aluminum Roll Valley – 25'	75 rolls	4.00 lbs.
18" Economy Aluminum Roll Valley – 50'	75 rolls	9.00 lbs.
18" Economy Aluminum Roll Valley – 10'	75 rolls	1.80 lbs.
18" Economy Aluminum Roll Valley – 25'	75 rolls	4.50 lbs.
20" Economy Aluminum Roll Valley – 50'	50 rolls	10.50 lbs.
20" Economy Aluminum Roll Valley – 10'	50 rolls	2.10 lbs.
20" Economy Aluminum Roll Valley – 25'	50 rolls	5.25 lbs.
24" Economy Aluminum Roll Valley – 50'	50 rolls	12.50 lbs.
24" Economy Aluminum Roll Valley – 10'	50 rolls	2.50 lbs.
24" Economy Aluminum Roll Valley – 25'	50 rolls	6.25 lbs.
36" Economy Aluminum Roll Valley – 50'	25 rolls	19.00 lbs.
36" Economy Aluminum Roll Valley – 10'	25 rolls	3.80 lbs.
36" Economy Aluminum Roll Valley – 25'	25 rolls	9.50 lbs.

16-OZ. COPPER ROLL VALLEY

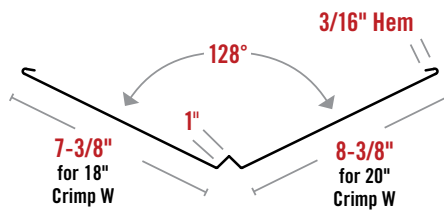
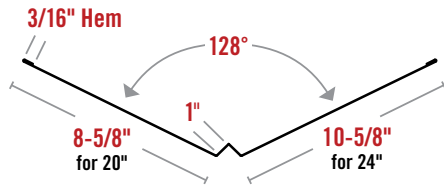


PRODUCT DESCRIPTION	PACKAGING AND SPECIFICATIONS
20" 16-oz. Copper Roll Valley	1 roll 95-105 lbs.

FLAT SHEETS

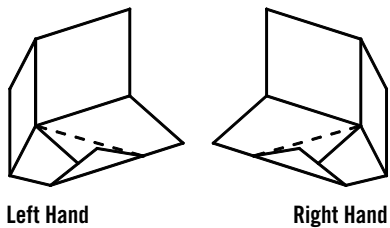
PRODUCT DESCRIPTION	PIECES PER
29-Ga. Sheet – 36" x 96"	25
29-Ga. Sheet – 36" x 120"	25

STYLE "W" FORMED VALLEY



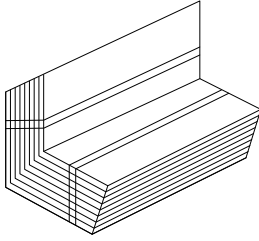
PRODUCT DESCRIPTION	PIECES PER	
	STEEL	ALUMINUM
Style W Formed Valley		
20" Style W Formed Valley – 10'	10	10
24" Style W Formed Valley – 10'	10	10
24" Style W Formed Valley – 26 Ga. – 10'	10	N/A
Style W Formed Valley with Crimp		
18" Style W Formed Valley w/ Crimp – 10'	10	10
20" Style W Formed Valley w/ Crimp – 10'	10	10

KICK-OUT FLASHING

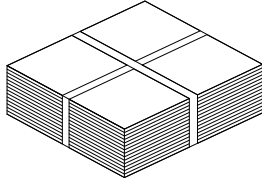


PRODUCT DESCRIPTION	PIECES PER
Left Hand, 4" x 4" x 8" Seamless – 130° Deflection	25
Right Hand, 4" x 4" x 8" Seamless – 130° Deflection	25

FLASHING SHINGLES



Crimp Shingle



Flat Shingle

PRODUCT DESCRIPTION	PIECES PER	
	STEEL	ALUMINUM
5" x 7" Shingles	100	100
5" x 7" Shingles	N/A	500
2-1/2" x 2-1/2" x 7" Shingles	100	100
2-1/2" x 2-1/2" x 7" Shingles	N/A	500
2" x 3" x 7" Shingles	100	100
2" x 3" x 7" Shingles	N/A	500
6" x 8" Shingles	100	100
3" x 3" x 8" Shingles	100	100
3" x 4" x 7" Shingles	N/A	500
7" x 9" Shingles	100	100
7" x 10" Shingles	N/A	500
8" x 7" Shingles	100	100
8" x 7" Shingles	N/A	500
4" x 4" x 8" Shingles	50	50
8" x 8" Shingles	100	100
8" x 8" Shingles	N/A	500
4" x 4" x 8" Shingles	100	100
4" x 4" x 8" Shingles	N/A	500
8" x 9" Shingles	N/A	500
8" x 10" Shingles	N/A	500
5" x 5" x 8" Shingles	100	100
10" x 10" Shingles	100	100
5" x 5" x 10" Shingles	100	100
8" x 14" Shingles	50	50
4" x 4" x 14" Shingles	50	50

FLASHING COLLECTION

TRADITIONAL BUILDING PRODUCTS (STEEL ONLY)

KEY:

* = .015 29 Gauge

† = .012 32 Gauge

∂ = .020 26 Gauge

					
WHITE*†∂	BRITE WHITE*	WINTER WHITE*	FROST WHITE†	LIGHT STONE*	
					
IVORY*∂	CLAY MIST*	NORWOOD*	CLASSIC BEIGE*	SADDLE TAN*	COBBLESTONE*
					
SMOKE GRAY*	CHARCOAL GRAY*†	LBS SLATE GRAY*	ROMAN BLUE*	MARINA BLUE*	COCOA BROWN*
					
TERITONE*†∂	PATRICIAN BRONZE*	CHARCOAL*	BLACK*†∂	MIDNIGHT BLUE*	EARTH BROWN*†∂
					
BURNISHED SLATE*	COPPER CANYON*	RED*	BRITE RED*	CLASSIC BURGUNDY*	FOREST GREEN*

SHERWIN-WILLIAMS.
Coil Coatings

The colors shown are intended only as an approximation of the actual colors. Color chips are available upon request.

FLASHING COLLECTION (CONTINUED)

KLAUER CLASSIC (ALUMINUM AND STEEL)

					
SNOW WHITE	EGG SHELL	SANDALWOOD	MOCCASIN	GOLDENROD	RATTAN
					
OLIVE BRANCH	NORTHERN WOODS	DUSTY CLAY	TERRA BRONZE	CARAMEL	BROWNSTONE
					
MOCHA	COLONIAL BLUE	SILVER GRAY	LIBERTY GRAY	EMBER GRAY	WINTER SAGE
					
MOUNTAIN GREEN	BRICK RED	SUNSET RED	EBONY	DEEP OCEAN BLUE*	GRAY WOLF*

*Available in Steel only.

KLAUER SELECT (ALUMINUM ONLY)

					
WHITE	280 WHITE	BROWN	TERITONE	MEDIUM TAUPE	GREEN
					
BLACK	WICKER	CREAM	WHEAT	HEATHER	DARK BRONZE
					
MUSKET BROWN	NORWOOD	ALMOND			

Dura Coat
FLUOROPOLYURETHANES
 An Axalta Coating Systems Company

The colors shown are intended only as an approximation of the actual colors. Color chips are available upon request.



1185 Roosevelt Ext.
PO Box 59
Dubuque, IA 52004-0059
(563) 582.7201
smsales@klauer.com

WWW.KLAUER.COM

75960 Flashing Section
75961 Full Catalog

©2021 Klauer Manufacturing Company.